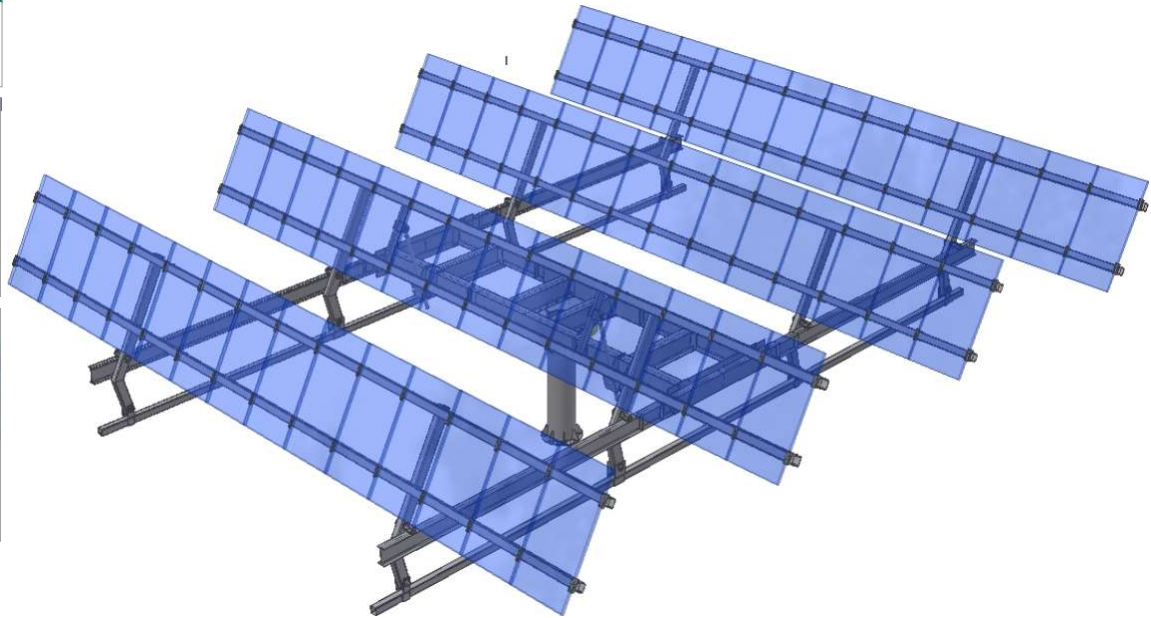


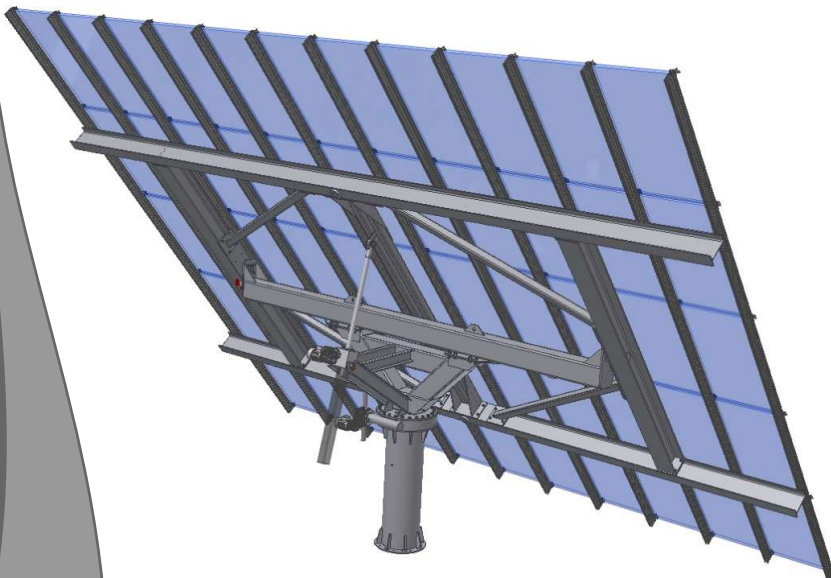
CADE is a specialized company in Mechanical R&D. Design, Analysis and Optimization in non-conventional structures of main solar concentration equipment and structures.

CADE has reached a leadership ranking on solar sector developing more than fifty projects on solar equipment involving all technologies in solar market.



ENGINEERING CAPABILITIES

- >> Conceptual Design
- >> Design to cost
- >> Reliability, Availability and Maintainability (RAM) Studies
- >> Failure Modes and Effects Criticality Analysis (FMECA/FMEA)
- >> Wind Tunnel Tests: Test design, Test Supervision, Results Analysis
- >> CFD analysis (Computational Fluid Dynamics)
- >> Validation and Optimization design (by means FEA-Finite Element Analysis)
- >> Forensics Analysis
- >> Reengineering
- >> Mechanical Test for prototype. Design, supervision and Results analysis
- >> Assembly work tools design
- >> CE Marking
- >> Specific codes application (USA, Europe, MENA countries)



TECHNOLOGIES KNOW HOW

CSP (Concentrating Solar Power)

- >> Parabolic Trough
- >> Tower
- >> New Concepts

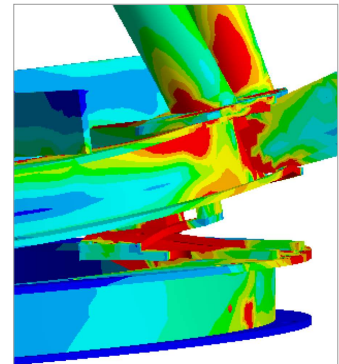
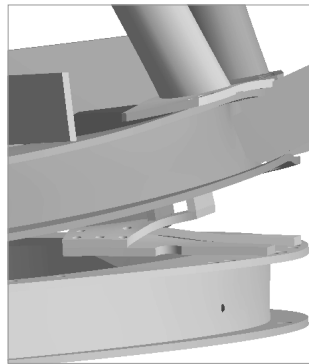
CPV (Concentrating Photovoltaic Systems)

- >> Low Concentration
- >> High Concentration

PV (Photovoltaic Systems)

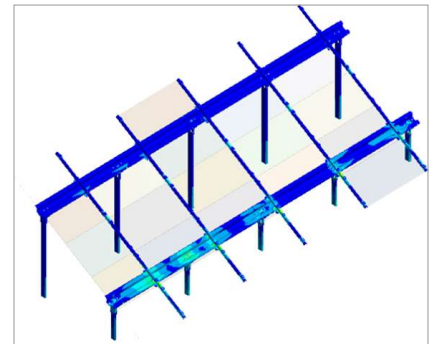
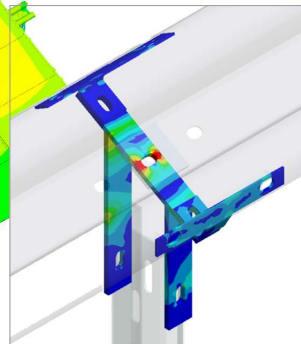
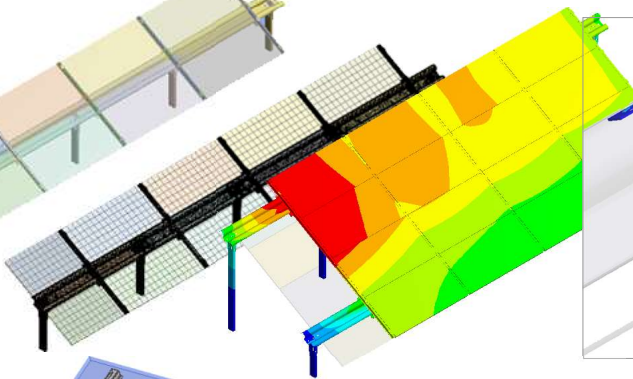
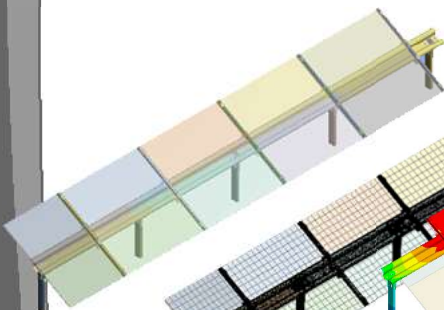
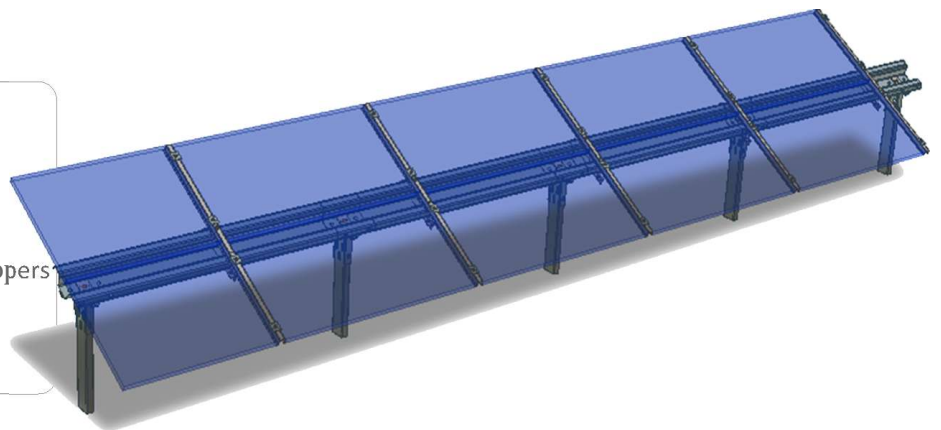
- >> Solar trackers (dual and single axis)
- >> Fixed structures
- >> Top-Roof Structures

SOLAR trackers FIXED structures



Our Clients:

Project Developers and Investors
Industrial Corporations
Engineering companies
Equipment Manufacturers or developers
Designers
Insurances companies



Structural design and analysis by means of FEM analysis in many prototypes of solar trackers and non-conventional structures.

Validation and optimization of components, sub-structures, welded and bolted joints, driving devices sizing (slewing drives, linear actuators, etc.) wind loads determination and foundation design.

Detail Engineering. Assembly drawings, detail drawings, technical specifications (driving devices, surface treatments, materials). Assembly procedures, start-up protocols, CE Marking, Manufacturing supervision, Assembly works tools design. Mechanical Assistance.

